

The Arrow 7800 Series Powered Door Closers are low-energy operators which function as standard spring-force closers during close cycles when a door is opened manually, or if power is lost or turned off. The 7800 is ideal for doctors' offices, retirement facilities, schools, churches, and other applications where noise may be a concern.




Certification

- C-UL US listed for use on fire and smoke barrier doors
- 2-year warranty
- Meets requirements for Americans with Disabilities Act (ADA)
- ANSI/BHMA A156.19 certified
- Meets ANSI/BHMA A156.4 requirements

ADA/Americans with Disabilities Act

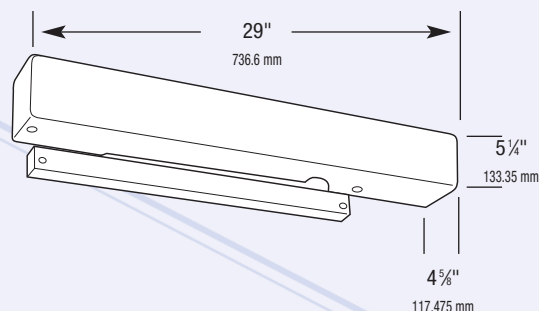
7800 Series meets the standards of ANSI A117.1 for barrier free accessibility.

 Look for the universal symbol next to Arrow products that comply with ADA accessibility requirements.

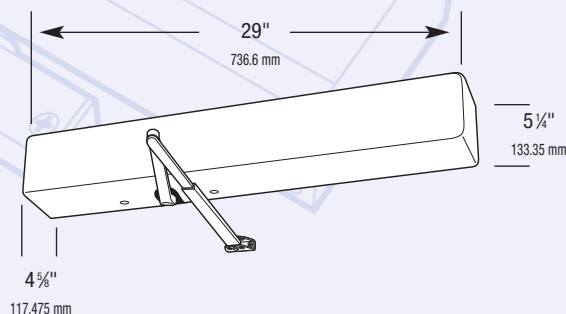
Features:

- Ease of installation and setup
- Simple instructions
- Application versatility and ease of adjustment Push or pull side mounting units available
- Operates as mechanical surface closer during close cycles, when door is opened manually or if power is turned off
- Quiet operation
- Spring force provides the feel of a normal manual door closer
- Door can be opened manually if desired
- Adjustable Spring Power
- Backcheck Valve
- Sweep Valve & Latch Valve
- Non-Handed
- Unit Activation Options:
 - Wall switches
 - Motion sensor
 - Radio frequency device
- End-User On/Off Switch
- Hold Open options:
 - 0-30 seconds (5 seconds minimum required for ADA and ANSI/BHMA A156.19)
- Obstruction Detection:
 - Motor stops if door is obstructed during an opening
 - Door closes under manual spring force (not to exceed 15lbf)
- Power Input: 120 VAC, 60Hz connects to wall outlet
- Current Draw: .6A
- Relay Output: DPDT
 - Normally Open/Normally Closed (jumper)
 - For electric strike function

Pull/Hinge Side



Push/Stop Side



Finishes:

Aluminum (689) AL
Dark Bronze (690) DBZ

7800 Series Powered Door Closers

ASSA ABLOY, the global leader
in door opening solutions

ARROW
LOCK & DOOR HARDWARE

ASSA ABLOY

Standard Applications



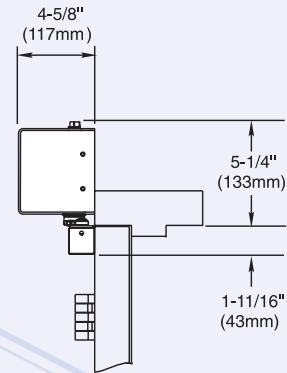
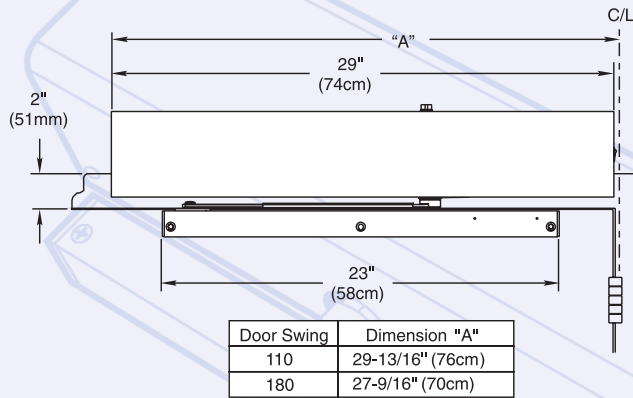
7814H/7836H

Hinge (Pull) Side of Door

- Adjustable Stop
- 180° swing (trim permitting)

Minimum Door width
 Single Door – 29" (74cm)
 Double Door – 30" (76cm)

An auxiliary stop is suggested where severe conditions exist.



NOTE: Contact factory for use on doors exceeding 250 lbs.

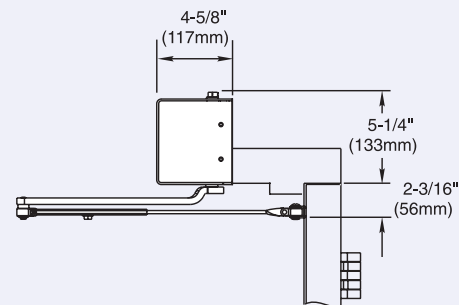
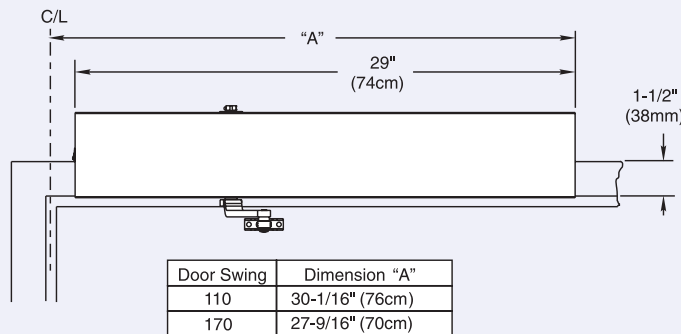


7814S/7836S

Stop (Push) Side of Door

Standard Duty Double Lever Arm

- Frame reveals 2-5/8" to 6-3/4" (67-171 mm)
- An auxiliary door stop is required for these applications.
- 170° swing (trim permitting)



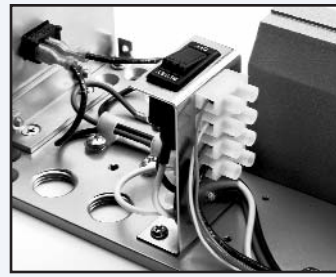
NOTE: Contact factory for use on doors exceeding 250 lbs.

7800 Series Powered Door Closers

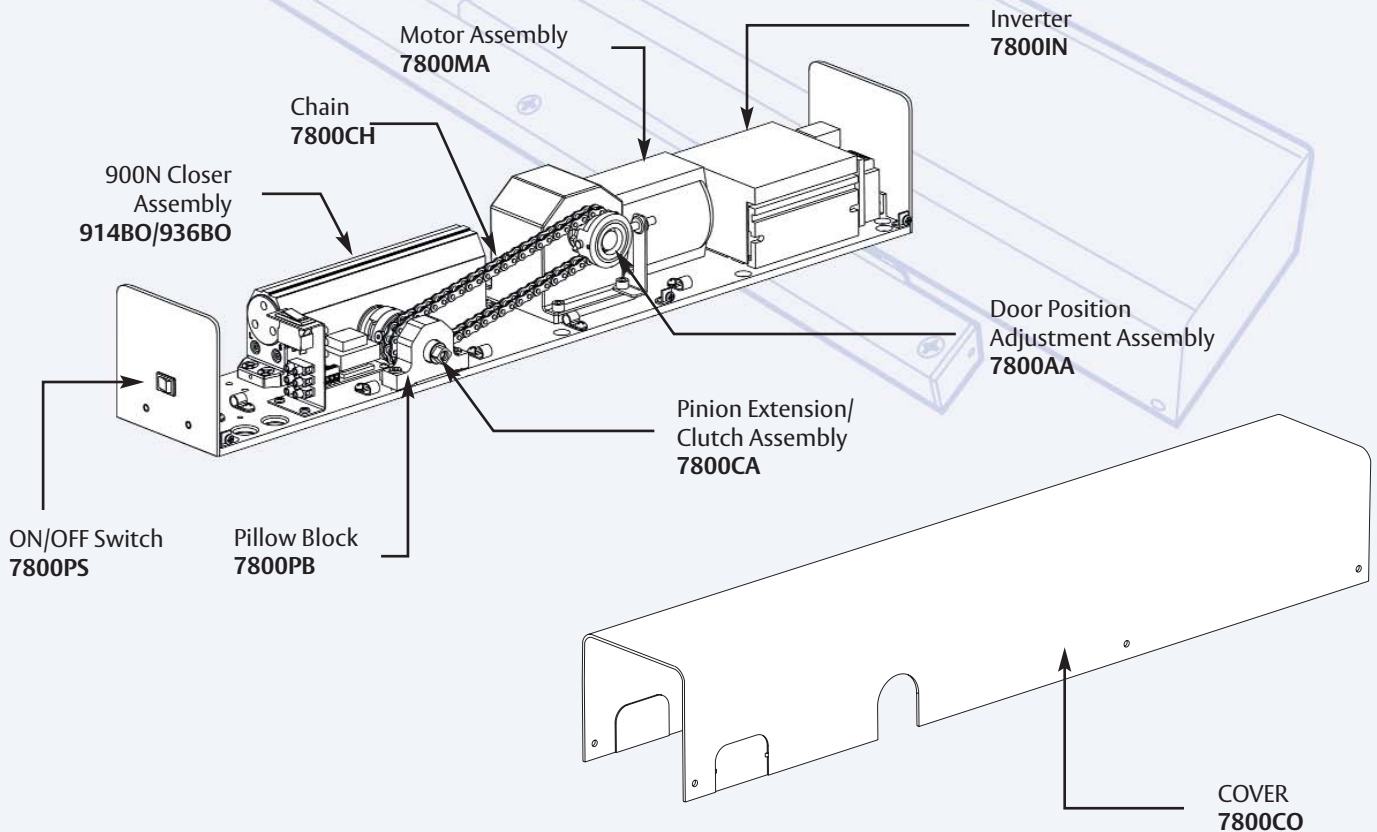
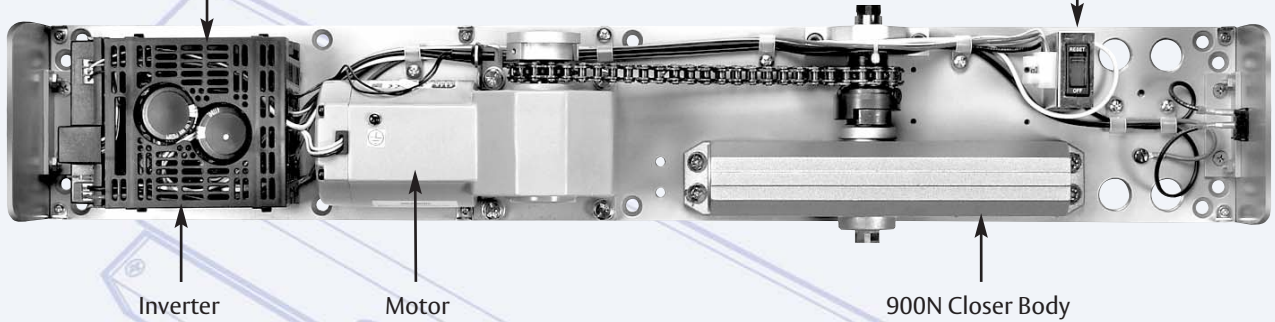
Internal Components & Mechanism



POT	DESCRIPTION
COMP	Motor Torque at Hold Open Position
ACC	Door Mounting (Factory Set)
DEC/B	Hold Open Time (5-30 Seconds)
MIN	Motor Reversing Speed
MAX	Door Open Speed
CL	Obstruction Detection on Open



- Circuit breaker
- Activation switch terminal
- Relay terminal



7800 Series Powered Door Closers

ASSA ABLOY, the global leader in door opening solutions



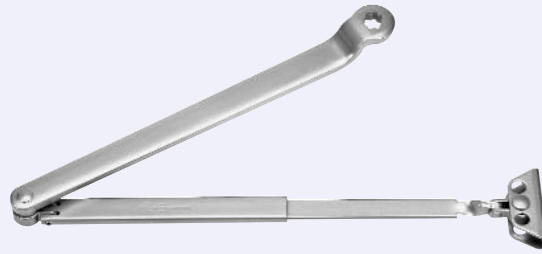
ASSA ABLOY

Parts & Accessories

Arm and Track Assemblies



7800TC – Arm and Track Assembly
7800TA – Arm Assembly
7800TO – Track Assembly



7800SC – Arm Assembly
7800SA – Main Arm & Rod
7800ST – Adjusting Tube & Shoe

Signage

- Supplied standard



2 Per Operator



1 Per Switch



1 Per Switch

Motion Sensor

- 4-3/4" x 3-3/16" x 2" projection
- Unidirectional
- Black cover
- SPDT relay
- Adjustable angle pattern
- 24 VDC input
- Must not be placed where motion of door can be sensed



7800MS

Push Switches

- 6-5/8" square (box); 8-1/8" square (trim)
- 9 volt battery
- Temperature: -4° F to 122° F
- 15 amp @ 125VAC
- Flush or surface† mounted
- Stainless steel with blue letters
- 7800WSHR and 7800WSTR – radio frequency (433MHz)
- Used with radio frequency option and 7800RK
- 7800WST and 7800WSH – hard wired*



7800WSH, 7800WSHR



7800WST, 7800WSTR

* Switches may also be installed with single or double gang electrical box using fasteners included.

† When surface mounted, switches project 2" from wall.

Key Fob

- Used with radio frequency option and 7800RK



7800KF

Transmitters

A. Single Channel

- 2-3/8"w x 4-3/16"h x 15/16"d



A. 7800T1

B. Two Channel

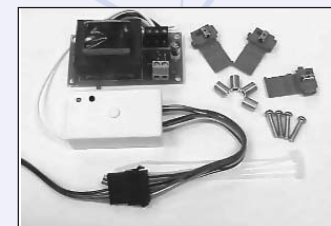
- 2-3/8"w x 4-3/16"h x 15-16"d



B. 7800T2

Radio Frequency Kit

- Radio Frequency Receiver (433 MHz)
- 24 VDC power supply
- Activation switches not included.
- Order 7800KF, 7800T1, 7800T2, 7800WSHR, or 7800WSTR separately.



7800RK

7800 Series Powered Door Closers